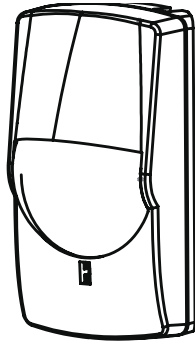


# WNX-40PI-T

## Wireless motion sensor



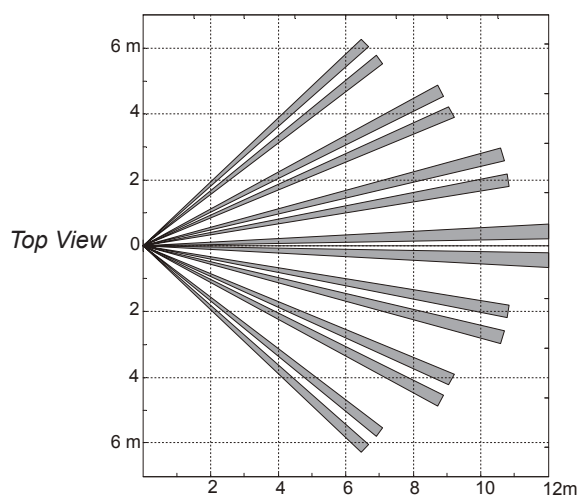
- **Pet-friendly option**
- **Digital quad zone logic**
- **Temperature compensation**
- **Effectively distributed detection zones**
- **Long battery life**

The wireless motion sensor WNX-40PI-T (passive infrared detector) is operated in combination with a Carephone TA74 or HTS62. This sensor is used to monitor a room and transmit presence information to the Carephone.

The WNX-40PI-T is installed inside the residence in a room that the person requiring assistance has to pass through when they are at home, e.g. in the hallway.

The activity monitor in the Carephone can be reset via the daily button or via a wireless motion sensor. In this instance, the WNX-40PI-T serves as an external daily button for the Carephone. The activity monitoring in the Carephone will only be reset if the sensor detects a movement. Unlike triggering via the daily button, the motion sensor doesn't generate a voice announcement on the Carephone.

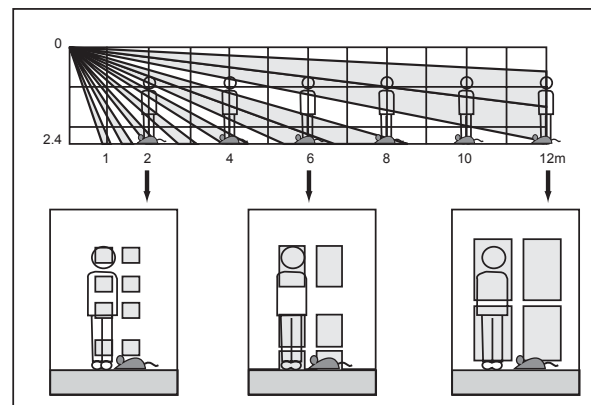
### Field coverage



### Digital quad zone logic

The wireless motion sensor has 78 zones to cover the detection field. More than 4 zones are used to check whether a transmission should be made.

This technology improves the accuracy in the detection of people and avoids false detections due to pets. (See Technical Specifications: PULSE COUNT 2/4).



### Temperature compensation

The sensitivity of the motion sensor is automatically increased at high temperatures, especially in places where the temperature varies between 35 - 37°C, close to that of the human body.

## Technical specifications

Environmental conditions	
Environment	Indoor, dry
Relative humidity	Up to 95%, non-condensing
Operating temperature	-20 °C to +50 °C
Storage temperature	-40 °C to +60 °C

Power requirements	
Battery life	From 4 years to 7 years, depending on the area of installation and number of transmissions
Battery requirements	CR123A lithium battery
Automatic test signal	Every 24 hours at least
Checking of the battery status	Daily and every transmission
<b>Important:</b> When receiving the message: "Low battery", the battery must be changed within a week	

Jumper functions	
PULSE COUNT 2/4 Detection sensitivity	(open) Immunity against domestic animals (< 40cm height) (closed) Normal application
LED ON/OFF Light indicator	(open) Disabled (closed) Enabled
WALK TEST Operation mode	(open) Normal mode (closed) Installation mode

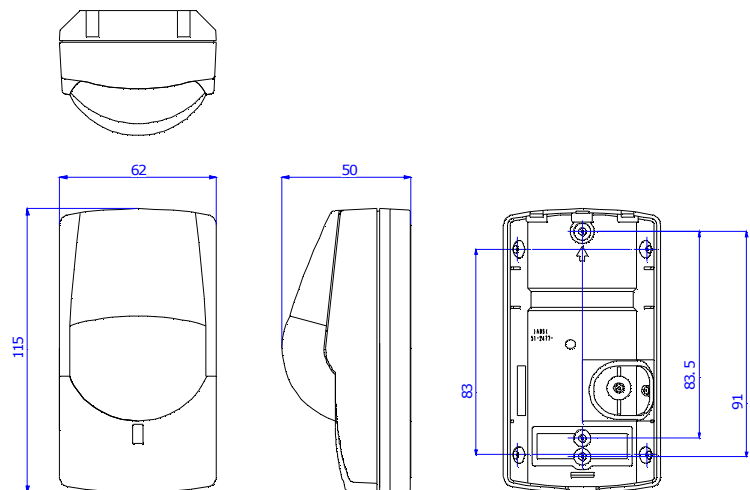
Technical features	
Cover	12 m x 12 m
Detection zones	78 zones
Fixing height	1.5 to 2.4 m

Transmission characteristics	
Frequency	869.2125 MHz
Stability	< 2.5 kHz
Bandwidth of band used	25 kHz
Modulation type	FSK (Frequency Shift Keying)
Transmission power	- 3 dBm (0.5 mW) (Class B transmission power complies with EN300220)
Range (unobstructed)	300 m

## Certifications and approvals

LVD 2014-35-EU, EMC 2014-30-EU, R&TTE 1999-5-EC  
 RED 2014/53/EU, RoHS 2011/65/EU, WEEE 2012-19-EU  
 EN 300 220-1 V3.1.1,  
 EN 300 220-2 V3.1.1  
 EN 300 220-3-1 V2.1.1  
 EN 301 489-1 V2.2.0  
 EN 301 489-3 V2.1.1  
 EN 50581  
 EN 50130-4  
 EN 55024  
 EN 55032  
 EN 60950-1  
 EN 62479

## Dimensions [mm]



## Parts included

Quantity	Component
1	Wireless motion sensor
1	CR123A lithium battery
2	Flat-head screws
2	Screw anchors
1	Quick guide

TeleAlarm Europe GmbH  
 Hertzstraße 2  
 04329 Leipzig  
 Germany  
 +44 (0)333 0124392  
 info-uk@telealarm.com