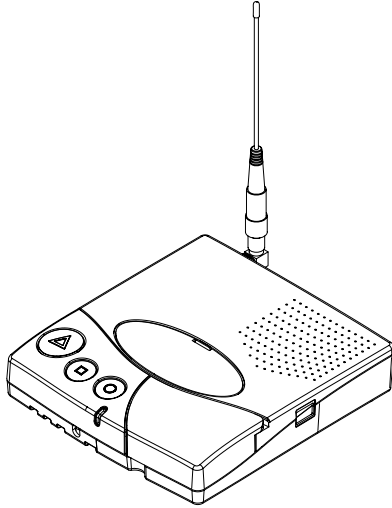


RE80

Receiver Main and Relay Unit T.220.001.524

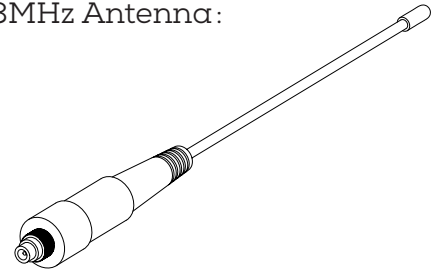


WARNING !

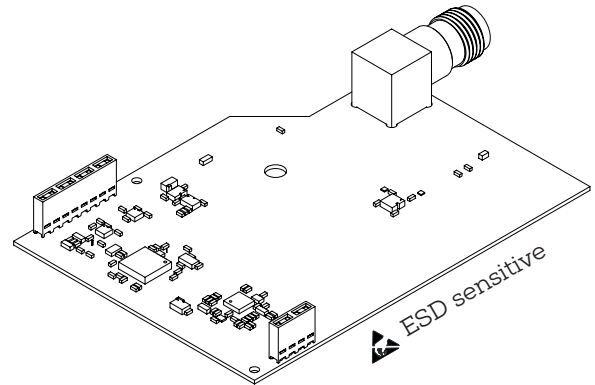
The device should be opened in an ESD protected environment with respect to the following precautions : discharge yourself from electrostatic loads by touching a grounded conductive surface before opening the unit.

This package contains all pieces to transform an NC4 working at 434MHz to the new TeleAlarm system working at 868.8 MHz.

868.8MHz Antenna:



Transceiver Board @868.8MHz:

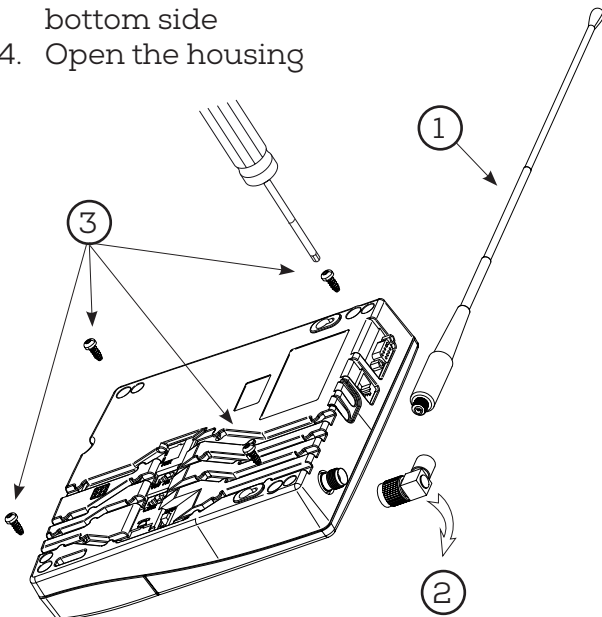


1

2

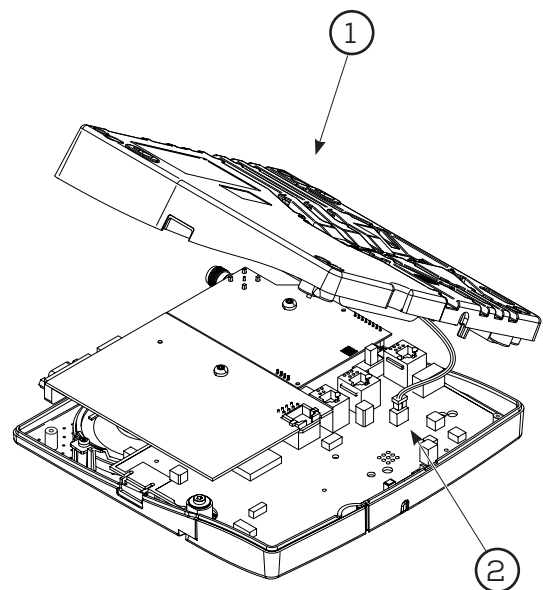
Disassemble the device :

1. Remove the 434 MHz antenna
2. Remove and keep the TNC adaptor (needed to connect the new antenna)
3. Remove the 4 screws "torx" on the bottom side
4. Open the housing



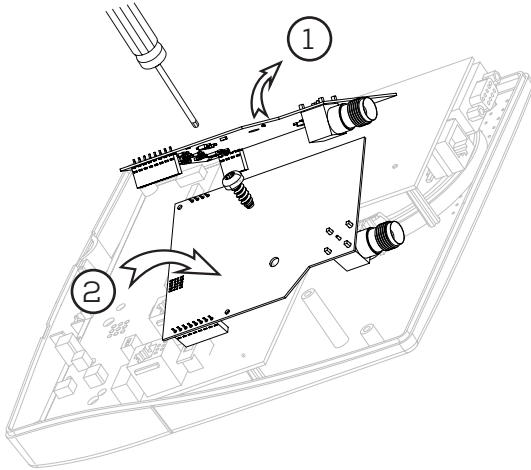
Remove the bottom housing :

1. Open the bottom housing
2. Unplug the internal battery



Exchange the RF board at 434MHz by 868.8MHz:

1. Remove the screw how maintains the RF board
2. Keep out the RF board carefully
3. Plug the new RF board
4. Screw to secure the PCBA



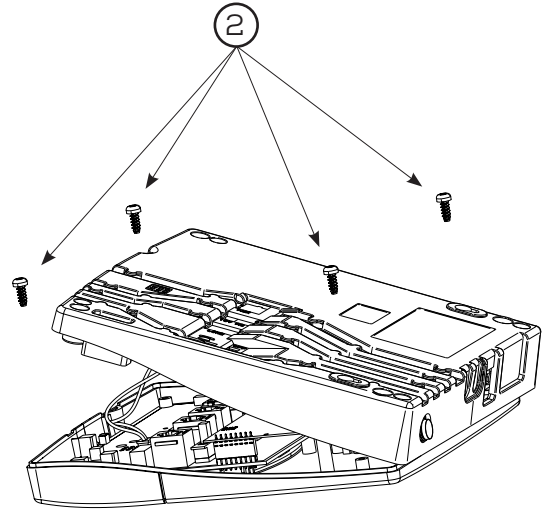
Electrical or electronic devices and accessories that are no longer serviceable must be collected separately and sent for environmentally compatible recycling (in accordance with the European Directive on Waste Electrical and Electronic Equipment). To dispose of old electrical or electronic devices and accessories, you should use the return and collection systems established in the country concerned.

3 4

5 6

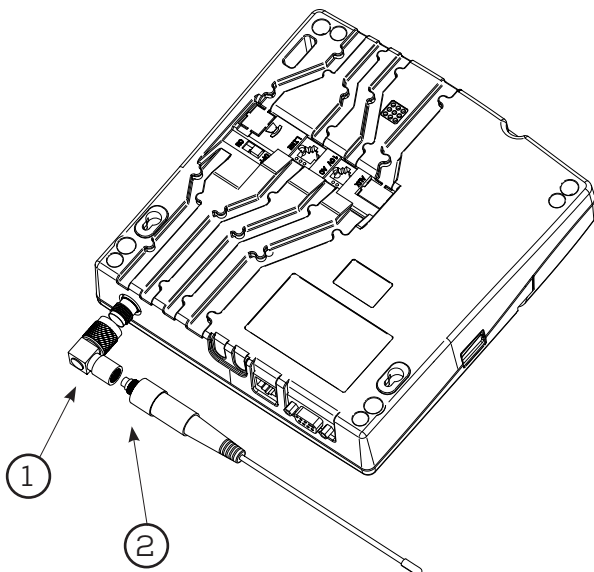
Close the housing:

1. Replug the battery connector
2. Close the housing using 4 screws



Connect the antenna:

1. Replug the antenna connector
2. Screw the new antenna @868MHz delivered in the KIT



Test the upgraded device.

1. Plug the power supply to the unit
2. Power on the device
3. Check if after few seconds, the device doesn't display "Local battery empty"

The device is ready for setup or to use if it is already programmed with the new TeleAlarm NurseCall NC8 system.

