

iCall 410 ST-OA V2.1

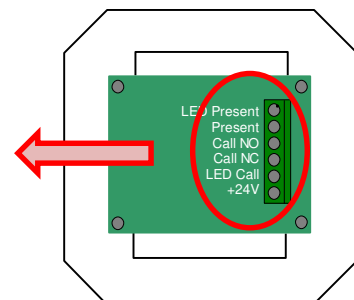
This new iCall 410 ST-OA V2.1 button is developed as replacement of the previous ST-OA with some new features, it supports normal open and normal close contact. The used high quality switches give a better user feedback.

Features

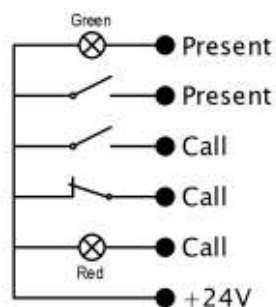
- Normal Open contact for Call and Present button
- Normal Closed contact for Call button
- Red reassurance LED for Call button
- Green reassurance LED for the Present button
- 24V powered

Connections

LED Present:	Green LED ground connection
Present:	Normal open contact from present button
Call NO:	Normal open contact from call button
Call NC:	Normal closed contact from call button
LED Call:	Red LED ground connection
+24V:	Common contact (+24VDC)



Connections diagram



Order information

NWBAES4101 iCall 410 ST-OA V2.1

Version

HW: iCall_ST-OA V2.1
SW: Not Applicable

iCall ST-OA V2.1

General Absolute Maximum Ratings !

		min	typ	max	unit
Supply Voltage	V _{cc}	18	24	30	V
Supply Current forward	I _f	-	-	-	mA
Operating Temperature (ambient)	T _{amb}	0	-	65	°C
Maximum reverse voltage	V _r	-	-	6	V
Leakage current (reverse) _{max 6V for LED!}	I _r	-	30	-	µA

Mechanical properties

Parameter		min	typ	max	unit
Dimensions (Total Assembly)	L x W x H	-	71 x 71 x 30	-	mm
	L x W x H	-	27,95" x 27,95" x 11,81"	-	" (inch)
	L x W x H	-	2795 x 2795 x 1181	-	mils
Weight	PCB	-	0,0231	-	lbs
		-	0,0105	-	kg
	Total Assembly	-	0,1168	-	lbs
		-	0,053	-	kg
Material	Plastic cover	Type of material	thermoplastic (Gira-55)		-
	PCB	Type of material	FR-4,		-
			T _d >=325°C, T ₂₆₀ >=60',		-
		T ₂₈₈ >=5', CTEz=<3.7%, T _g >=135°C		-	

General Electrical properties

Symbol	Parameter	State	min	typ	max	unit
V _{cc}	Operating Voltage	-	18	24	30	V dc
I _f	Forward Supply Current	(idle) All led's off	0	0,00	0	mA
		(Call) LED on	4,01	5,44	6,92	mA
		(Present) LED on	3,96	5,40	6,87	mA
P _t	Power Consumption	(idle) All led's off	0	0	0	mW
		(Call) LED on	72,2	130,6	207,6	mW
		(Present) LED on	71,3	129,6	206,1	mW
T _a	Operating temperature	-	-20	-	65	°c
		-	-4	-	149	°F

Operation / button specific properties

Parameter		min	typ	max	unit
Control buttons	type	Push button			
	Activation force perpendicular (vertically downwards)	-	0,370	-	kg
		-	0,816	-	lbs
Visualization	LED	Call ; Present ; Assistance			

Regulations

Parameter	condition	Compliance
VDE 834-1 & 834-2	conform	meets regulatory
EMC (immunity, radiated, conducted)	conform	iCall DECLARATION OF CONFORMITY.doc.pdf
ESD	conform	iCall DECLARATION OF CONFORMITY.doc.pdf
FCC	-	not yet performed