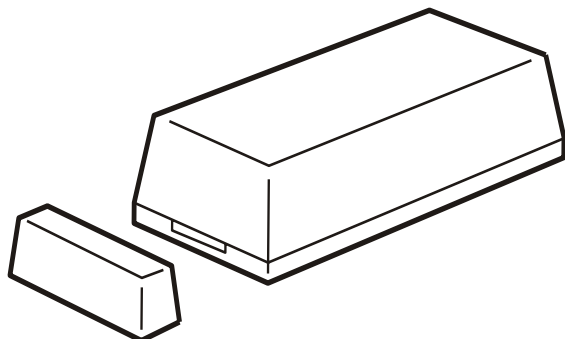


Wireless contact

RAC (869.2125)



- **Compact**
- **Long battery life-time**
- **Automatic radio daily message**
- **Low battery monitoring**
- **Wired input**

The Wireless contact RAC can be used for activity monitoring operations managed by TeleAlarm Carephones or for transmission of specific events.

When used as activity monitoring, the Carephone can initiate a call for help automatically when there is no sign of activity during a certain lapse of time.

When used as a transmitter for specific events, the alarm can be activated by approaching and/or moving away a magnet, or by the opening and/or closing of an electrical contact.

Certifications and approvals

LVD 2014/35/EU, EMC 2014/30/EU
 R&TTE 1999/5/EC, RED 2014/53/EU
 RoHS 2011/65/EU, WEEE 2012/19/EU
 EN 300 220-1 V3.1.1, EN 300 220-2 V3.1.1,
 EN 300 220-3-1 V2.1.1
 EN 301 489-1 V2.1.1, EN 301 489-3 V2.1.1
 EN 50581
 EN 50130-4 (2011-06 + A1:2014)
 EN 55024 (2010-12)
 EN 55032 (2015-07)
 EN 60950-1(2011)
 EN 62479 (2010-09)

Technical Specifications

Dimensions (H x W x D)	85 x 40 x 40 mm
Weight	55 g
Frequency	869.2125 MHz
Power supply	3V lithium battery CR2032
Battery life	> 3 years
Battery alarm	at approx. 20 % remaining
Automatic battery test	daily check and at every alarm
Operating Temperature	0 °C to 55 °C
Frequency stability	< ± 2 KHz
Modulation	FSK (Frequency shifted key)
Antenna	Integrated
Transmission power	- 3 dBm (0.5 mW) (Class B transmission power complies with EN300220)
Minimum range in free field	250 m

Parts included

Quantity	Component
1	Wireless contact
1	Magnet
1	Battery CR2032
1	User manual (DE/EN/FR/NL)

TeleAlarm Europe GmbH
 Hertzstraße 2
 04329 Leipzig
 Germany
 +44 (0)333 0124392
 info-uk@telealarm.com