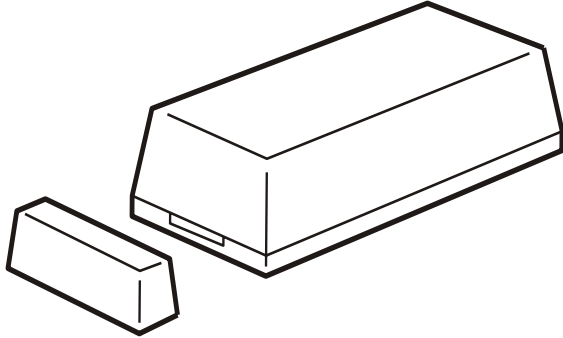


Wireless contact

RAC (869.2125)



- **Easy to use**
- **Compact**
- **Long battery life-time**
- **Automatic radio daily message**
- **Low battery monitoring**
- **Wired input**

The Wireless contact RAC can be used for activity monitoring operations managed by TeleAlarm Carephones or for transmission of specific events.

When used as activity monitoring, the Carephone can initiate a call for help automatically when there is no sign of activity during a certain lapse of time.

When used as a transmitter for specific events, the alarm can be activated by approaching and/or moving away a magnet, or by the opening and/or closing of an electrical contact.

Certifications and approvals

LVD 2014/35/EU, EMC 2014/30/EU
 R&TTE 1999/5/EC, RED 2014/53/EU
 RoHS 2011/65/EU, WEEE 2012/19/EU
 EN 300 220-1 V3.1.1, EN 300 220-2 V3.1.1,
 EN 300 220-3-1 V2.1.1
 EN 301 489-1 V2.1.1, EN 301 489-3 V2.1.1
 EN 50581
 EN 50130-4 (2011-06 + A1:2014)
 EN 55024 (2010-12)
 EN 55032 (2015-07)
 EN 60950-1(2011)
 EN 62479 (2010-09)

Technical Specifications

| | |
|-----------------------------|---|
| Dimensions (H x W x D) | 85 x 40 x 40 mm |
| Weight | 55 g |
| Frequency | 869.2125 MHz |
| Power supply | 3V lithium battery CR2032 |
| Battery life | > 3 years |
| Battery alarm | at approx. 20 % remaining |
| Automatic battery test | daily check and at every alarm |
| Operating Temperature | 0 °C to 55 °C |
| Frequency stability | < ± 2 KHz |
| Modulation | FSK (Frequency shifted key) |
| Antenna | Integrated |
| Transmission power | - 3 dBm (0.5 mW) (Class B transmission power complies with EN300220) |
| Minimum range in free field | 250 m |

Parts included

| Quantity | Component |
|----------|---------------------------|
| 1 | Wireless contact |
| 1 | Magnet |
| 1 | Battery CR2032 |
| 1 | User manual (DE/EN/FR/NL) |

TeleAlarm Europe GmbH
 Hertzstraße 2
 04329 Leipzig
 Germany
 +44 (0)333 0124392
 info-uk@telealarm.com