

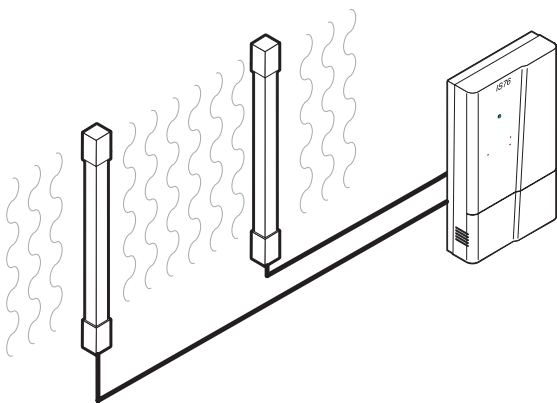
IS76 Person Detection Beacon



- **Passage marking and efficient locating of patients**
- **Reliable dementia monitoring**
- **Guarantees fast intervention of staff**
- **Expandable system (1 or 2 antennas), antennas can be installed outdoors**
- **System operation supervision**

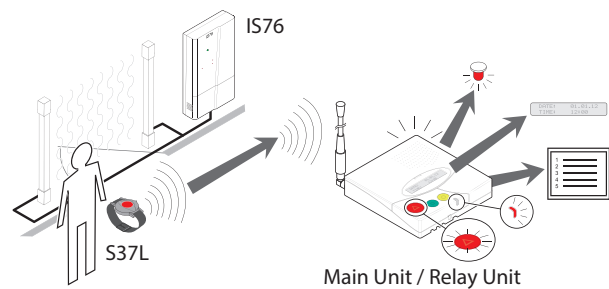
The IS76 Person Detection Beacon is designed to allow the locating of any person wearing a radio transmitter in the nearby vicinity. Its separate Ferrite Antenna generates a coded magnetic field which can be identified by the radio transmitter. The IS76 Person Detection Beacon may be used to locate patients suffering from Dementia and eventually prevent them from leaving the area alone.

System Overview



The system consists of the IS76 Beacon Controller and one or two IS76 Ferrite Antennas. When it is not possible to realize a wire loop or if the reinforcement of the door is in metal, an IS76 Person Detection Beacon system is conveniently used. One or two IS76 Ferrite Antennas, depending on the width of the door, will permanently generate a coded magnetic field. These antennas are connected to an IS76 Beacon Controller, which will then send back an identification code to any radio transmitter in the area.

Functions



The IS76 Person Detection Beacon is built to interact with the following devices:

- S37L Wristband Transmitter with Locating function
- NurseCall Main or Relay Unit

The S37L Wristband Transmitter with Locating function will automatically detect the IS76 Person Detection Beacon's coded magnetic field. At alarm triggering, the S37L Wristband Transmitter sends the call for help to the NurseCall Main Unit along with its identification code as well as the position of the last passed beacon. The information may be used to locate the patient that has triggered a call for help, or send an alarm as soon as a "Dementia" patient is going through a monitored door. When passing each IS76 Person Detection Beacon, the S37L Wristband Transmitter refreshes its actual position. Therefore, the position recorded by the S37L Wristband Transmitter is always the one of the last passed beacon. The operation of the IS76 Person Detection Beacon is supervised. An eventual operation failure (broken wire or overload) is indicated by the front panel LED and by the opening of a "normally closed" relay contact that is accessible from the terminal block. The supervision output may be connected to an RAC-type alarm transmitter which can then forward the information to the Nursecall System.

Certifications and Approvals

R&TTE 1999/5/EC
 EMC 2004/108/EC
 LVD 2006/95/EC
 EN 50371 (2002)
 EN 55022 (2006, A1: 2007)
 EN 60950-1 (2006, A11:2009)
 EN 300220-2 V1.5.1
 EN 301489-1 V1.8.1
 EN 301489-3 V1.4.1
 EN 50130-4 (1995, A1: 1998, A2: 2003)

Parts Included

Quantity	Component
1	IS76 Beacon Controller
1	IS76 Ferrite Antenna
1	Power supply

Installation/Configuration Notes

IS76 Beacon Controller

The IS76 Beacon Controller has to be mounted indoors, in a well ventilated place. All of the wiring and configuration functions such as connection of the antennas and setting of the Location identification code can be carried out in the connection compartment. The connection compartment is accessed by taking off the lower part of the housing, even if the device is fixed on the wall. The connection cables can be channeled towards the outside through the hole next to the terminal blocks or downwards by breaking off part of the rear housing. Connection of the power supply can be done without taking off the lower part of the housing.

IS76 Ferrite Antenna

The IS76 Ferrite Antenna can be mounted vertically or horizontally and can be placed outdoors as well as indoors. The middle of the antenna should be at a height of 1 meter from the floor, when mounted vertically. Although the functionality of the IS76 Person Detection Beacon is not affected by the presence of metallic items, it is not recommended to fix the antenna directly against such items. In order to avoid overheating of the IS76 Beacon Controller, install the antenna at least 1.5 cm away from metallic frames or surfaces.

Technical Specifications

IS76 Beacon Controller

Dimensions (H x W x D)	133 x 82 x 26 mm
Weight	200 g
Frequency	68 kHz
Power supply	Input: 100-240 VAC, 50-60 Hz, 0.8 A Output: 24 VDC, 1.25 A
Consumption	Max 400 mA (1 antenna) Max 800 mA (2 antennas)
Supervision Output Relay	Max switching power: 125 VA / 60 W Max switching voltage: 48 VDC Max switching current: 2 A
Permissible temperature	0 °C to 40 °C
Modulation bandwidth	9 – 135 kHz
Range in free field	1 – 1.3 m for one Antenna
Number of programmable positions	254

IS76 Ferrite Antenna

Dimensions (H x W x D)	600 x 30 x 30 mm
Weight	700 g
Connection cable	2 m twisted pair, extendable to 10 m

TeleAlarm SA
 Rue du Pont 23
 2300 La Chaux-de-Fonds
 Switzerland
 info@telealarm.com
www.telealarm.com

TeleAlarm UK Ltd.
 3 Bedford Place
 WC1B 5AH, London
 United Kingdom
 info-uk@telealarm.com
www.telealarm.com